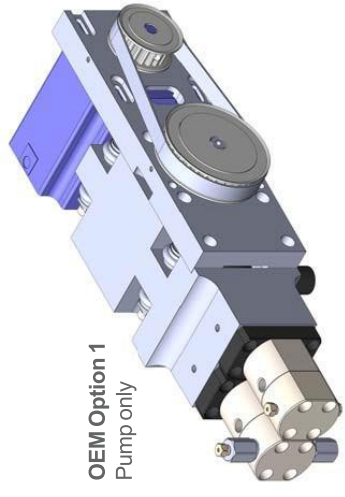


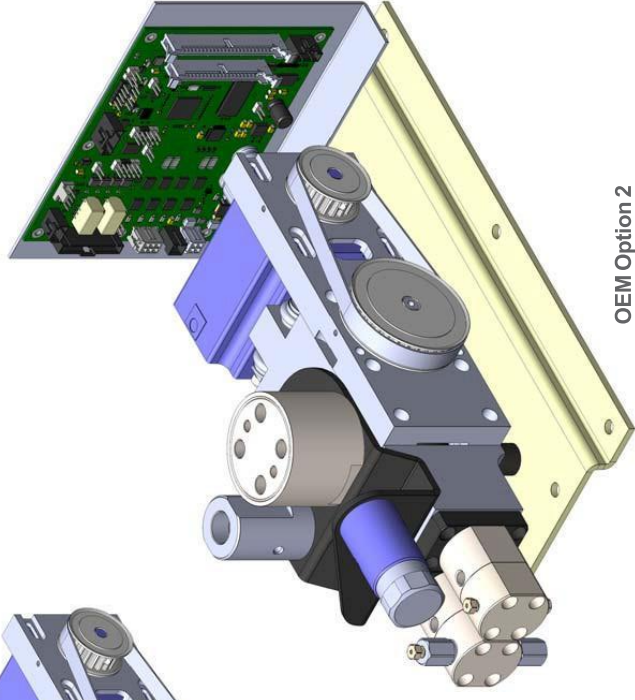
## What can we engineer for YOU?

ASI has supplied custom OEM pump assembly solutions for Proteomics-LCMS, Process Instrumentation, Pharmaceutical Manufacturing, Supercritical Fluid Chromatography, Preparative Chromatography, Biotech and SEC/GPC Systems.

Option 1 and Option 2 below are typical OEM configurations. We will make a custom configuration per your specification.



OEM Option 1  
Pump only



OEM Option 2  
Pump plus Hydraulic module  
and Pump-controller

Analytical Scientific Instruments US, Inc.  
3023 Research Drive Richmond CA 94806 USA  
[www.hplc-asi.com](http://www.hplc-asi.com) Phone: 510-669-2250 [info@hplc-asi.com](mailto:info@hplc-asi.com)

**ASI** Analytical Scientific Instruments US

Copyright © 2014 ASI - Analytical Scientific Instruments US, Inc.  
Rev. 6\_16\_2026

# 540 HPLC Pumps

New

- Private label for OEMs, Small or Big
- Advanced pump performance designed for the chromatographer
- Reliable low cost solution
- Isocratic, Gradient or Metering fluid flow applications
- Available with integral wash pump option
- Modus RTU control



### ASI 540 Series HPLC Pump Features:

- ❖ Intuitive Touchscreen display
- ❖ Available in Stainless Steel and Biocompatible PEEK
- ❖ Micro, Analytical, UPLC, Semi-Prep, Prep and Flash Prep available
- ❖ Self-priming Pump Head  
Integral prime/purge for rapid solvent changes and self-priming
- ❖ Patented Floating Pump Seal  
Seal floats in *alignment* relative to piston for longer seal life
- ❖ Solvent Compressibility Compensation  
User can select from a library of 14 solvents
- ❖ Easy Maintenance  
All user serviceable components are accessed via the front panel  
Cartridge seal design makes seal replacement easy

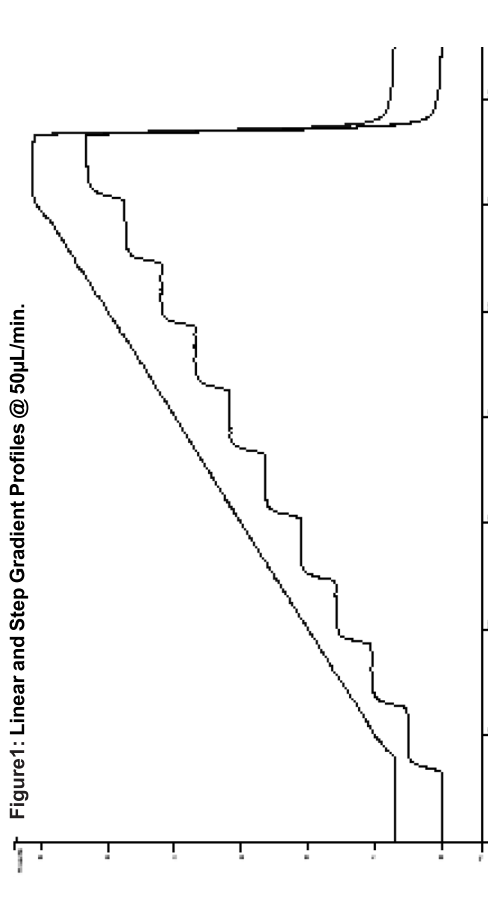
**ASI**

## Model 541 Isocratic Solvent Delivery, Model 540G Gradient System

Part Numbers		Flow	Range	Max Pressure
541-0004 & 540G-0004 541-0004B & 540G-0004B	Micro SST Micro Biocompatible PEEK	0.5 µL/min.	- 4 mL/min.	7,000 PSI Max 4,000 PSI Max
541-004HP & 540G-0004HP	Micro SST UPLC	0.5 µL/min. 0.5 µL/min.	- 250 µL/min. - 4 mL/min.	15,000 PSI Max 7,000 PSI Max
541-0010 & 540G-0010 541-0010B & 540G-0010B	Analytical SST Analytical Biocompatible PEEK	1 µL/min.	- 10 mL/min.	7,000 PSI Max 4,000 PSI Max
541-0010HP & 540G-0010HP	Analytical SST UPLC	1 µL/min. 1 µL/min.	- 1 mL/min. - 10 mL/min.	15,000 PSI Max 7,000 PSI Max
541-0040 & 540G-0040 541-0040B & 540G-0040B	Semi-Prep SST Semi-Prep Biocompatible PEEK	10 µL/min.	- 40 mL/min.	3,500 PSI Max
541-0125 & 540G-0125 541-0125B & 540G-0125B	Prep SST Prep Biocompatible PEEK	10 µL/min.	- 125 mL/min.	1,500 PSI Max
541-0300 & 541-0300B	Flash Chrome SST & Biocompatible PEEK	50 µL/min. 200 µL/min.	- 200 mL/min. - 300 mL/min.	500 PSI Max 250 PSI Max
<b>Accuracy</b>	Micro: ±1% or 1 µL/min. (whichever greater) Others: ±1% or 2 µL/min. (whichever greater)			
<b>Precision</b>	Micro: 0.25%, 0.10 mL/min. - 4 mL/min. @ 20°C Others: 0.25%, 0.10 mL/min. - 10 mL/min. @ 20°C			
<b>Pulsation</b>	1% Δ P/P @ 1,500 PSI pressure			
<b>Dimension</b>	6.75" W x 15.6" D x 6.75" H (Isocratic)			
<b>Weight</b>	16 lbs. (Isocratic)			
<b>Power</b>	AC 100 – 240 V 50/60 Hz, Fuse: 4A, 250 V			

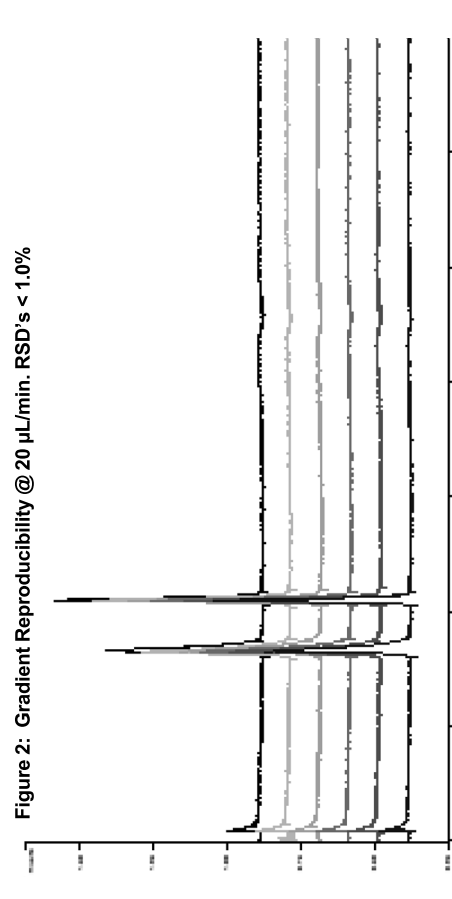
OEM inquiries welcome

## AS/Performance Data



**HPLC System:**  
AS/ Micro Head  
Detection: UV214  
Mixer: AS/HyperShear In-Line 25 µL

**HPLC Conditions:**  
MP: A = H<sub>2</sub>O, B = H<sub>2</sub>O doped with 0.05% red dye  
Flow Rate: 50µL/min  
Step Gradient: 0 to 100% B in 60 min., 10% steps  
Linear Gradient: Same, 4 min. TO hold



**HPLC System:**  
AS/ Micro Head  
Detection: UV214  
Mixer: AS/HyperShear In-Line 25 µL

**HPLC Conditions:**  
MP: A = H<sub>2</sub>O, B = H<sub>2</sub>O doped with 0.05% red dye  
Flow Rate: 20µL/min Gradient: 5 to 95% B in 20 min  
Sample: Methyl and Ethyl Parabens